

1. CUSTOMER data

Company:

Address

Phone E-mail

Contact Person

2. Description

3.1. Non-standard storage tank

Capacity, L	Bar
-------------	-----

Additional description:	
Outer coating:	Other:
Inner coating:	
Insulation:	

3.2. Optional elements

a. Flange (Length 140 mm) without gasket and cover

Item number	Dimension	Pcs.
Item number	Dimension	Pcs.
Item number	Dimension	Pcs.
Item number	Dimension	Pcs.
Item number	Dimension	Pcs.
Item number	Dimension	Pcs.
Item number	Dimension	Pcs.

b. Sleeve (Length, 103 mm)

Item number	Dimension	Pcs.
Item number	Dimension	Pcs.
Item number	Dimension	Pcs.
Item number	Dimension	Pcs.
Item number	Dimension	Pcs.
Item number	Dimension	Pcs.

c. Eyelets for easy transportation

Item number	Dimension	Pcs.
-------------	-----------	------

d. Set Inspection opening

Model	Dimension	Pcs.
-------	-----------	------

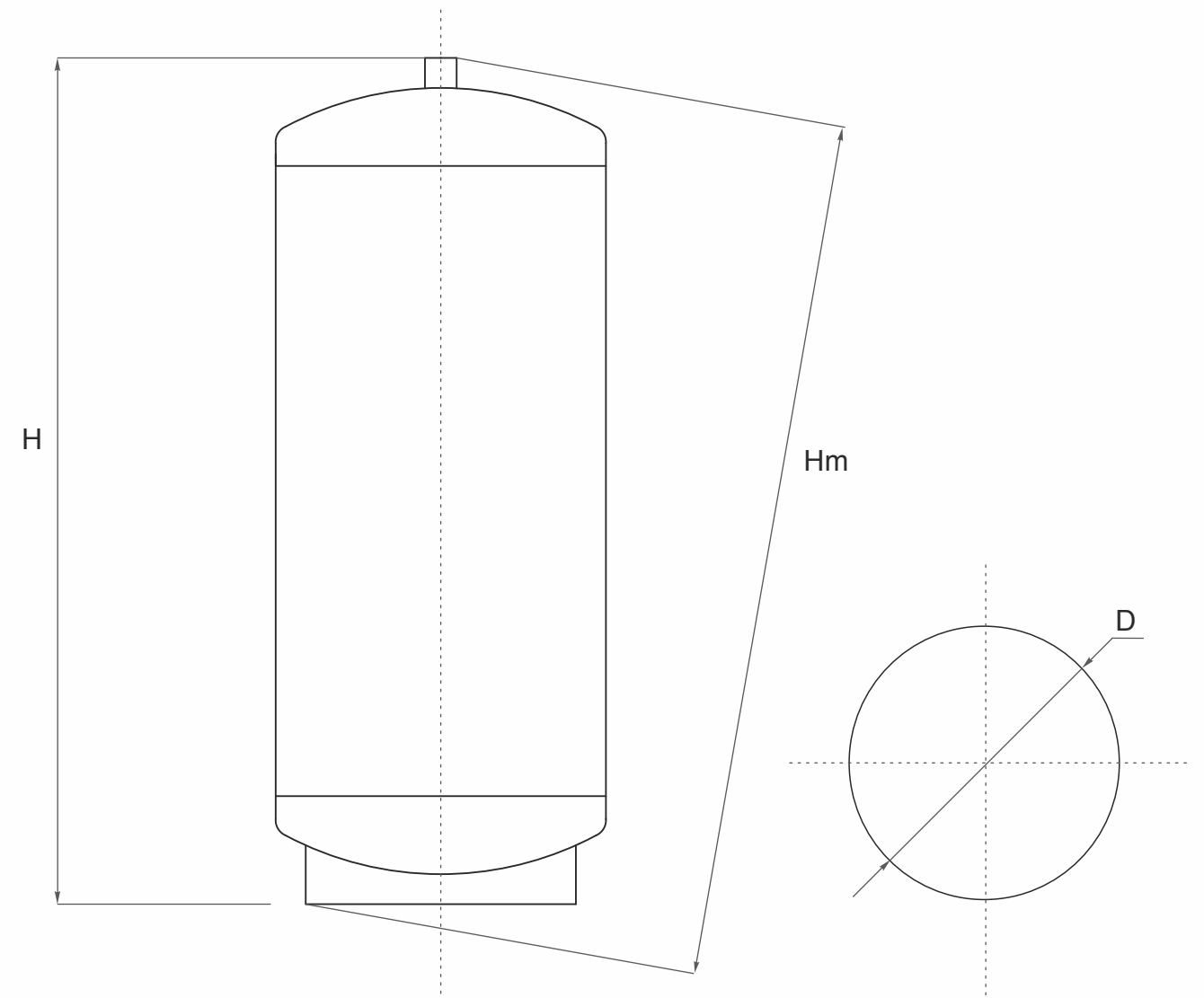
e. Lower coil (connection size 1")

Item number	Storage tank capacity, L:
-------------	---------------------------

f. Upper coil (connection size 1")

Item number	Storage tank capacity, L:
-------------	---------------------------

3. Drawing



4. Sending

Please, send Your Order form by E-mail : sales@greenphoenix.co.uk

For further information: Sales Department, Green Phoenix Ltd t: **01225 580 840**